

## Ginaf X 5450 S - 10x8 - Asfaltkipper MANUAL GEAR

### GENERAL CHARACTERISTICS

Id	GI980194
Make	Ginaf
Type	X 5450 S - 10x8 - Asfaltkipper MANUAL GEAR
Year	2013
Construction	Tipper
Emissionclass	5

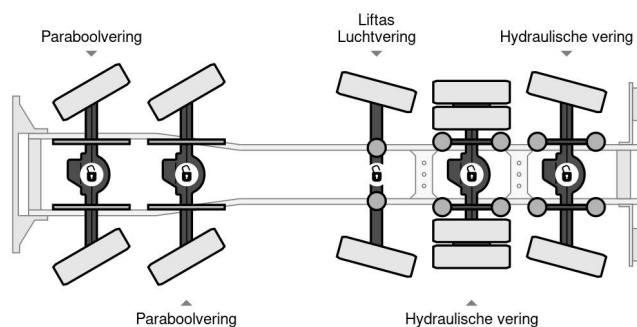
### TECHNICAL FEATURES

First registration date	25-10-2013
License plate	03-BDG-1
Fuel	Diesel
Transmission	Manual
Axle configuration	10x8
Axle count	5
Cylinder count	6
Power kw	340
Power hp	462



Ginaf X 5450 S - 10x8 - Asfaltkipper MANUAL GEAR

Referentienummer: GI980194



### DIMENSIONS AND WEIGHTS

Loading volume	
Weight	21.390 kg
Gross weight	50.000 kg
Wheelbase	691 cm
Load capacity	28.610 kg
Length	990 cm
Width	255 cm

### ACCESSORIES

- Air conditioning • Air horn • Anti-lock braking system
- Cabin overpressure • Central locking • Central lubrication
- Cruise control • Electrically adjustable door mirrors
- Electrically operated windows • Fog lights • Heavy duty engine brake • Hydraulic covers • Low-noise • On board truck scale • Particulate filter • PTO • Radio/CD player
- Reversing camera • Rotating beacon • Speed limiter
- Stability control • Turbo • Visor