

# Ginaf X 5450 S - 10x8 - Asfaltkipper MANUAL GEAR

## GENERAL CHARACTERISTICS

Id	GI980193
Make	Ginaf
Type	X 5450 S - 10x8 - Asfaltkipper MANUAL GEAR
Year	2012
Construction	Tipper
Emissionclass	5

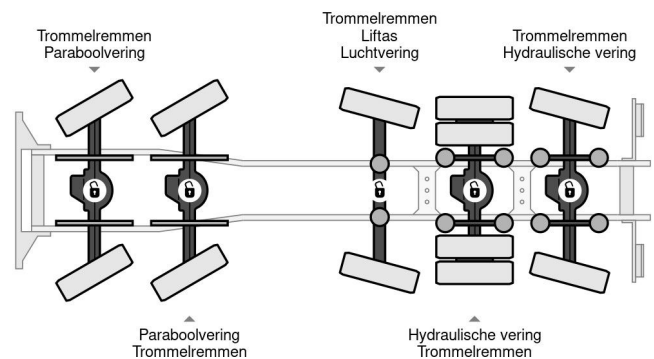
## TECHNICAL FEATURES

First registration date	14-04-2022
License plate	BZ-XB-06
Fuel	Diesel
Transmission	Manual
Axle configuration	10x8
Axle count	5
Cylinder count	6
Power kw	340
Power hp	462



Ginaf X 5450 S - 10x8 - Asfaltkipper MANUAL GEAR

Referentienummer: GI980193



## DIMENSIONS AND WEIGHTS

Loading volume	
Weight	22.845 kg
Gross weight	50.000 kg
Wheelbase	691 cm
Load capacity	27.155 kg
Length	1.015 cm
Width	255 cm

## ACCESSORIES

- Air conditioning • Air horn • Anti-lock braking system
- Cabin overpressure • Central locking • Central lubrication
- Cruise control • Electrically adjustable door mirrors
- Electrically operated windows • Fog lights • Heavy duty engine brake • Hydraulic covers • Low-noise • On board truck scale • Particulate filter • PTO • Radio/CD player
- Reversing camera • Rotating beacon • Speed limiter
- Stability control • Turbo • Visor